

8000

Introduction • Topworks • Drives
• Band Brakes and options



Anchoring Solutions

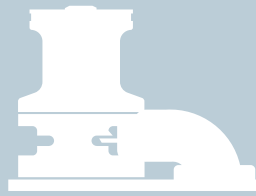
Windlasses

Capstans

Accessories



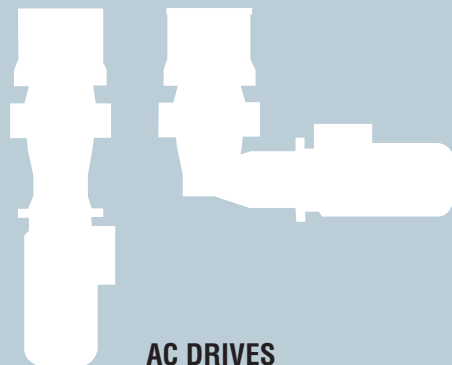
VW



VWC



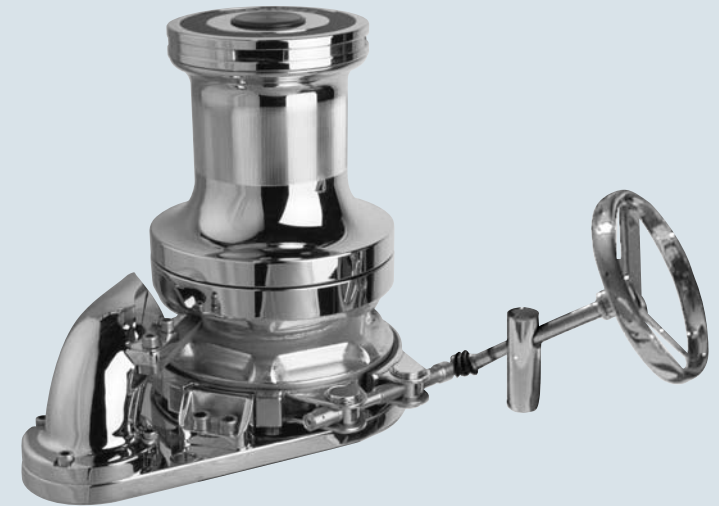
VWCLP



AC DRIVES



HYDRAULIC DRIVE



Disclaimer

All information is subject to change without notice. For any critical requirement, use only specifically quoted figures, available on request.

MAXWELL

8000

Introduction • **Topworks** • Drives
• Band Brakes and options

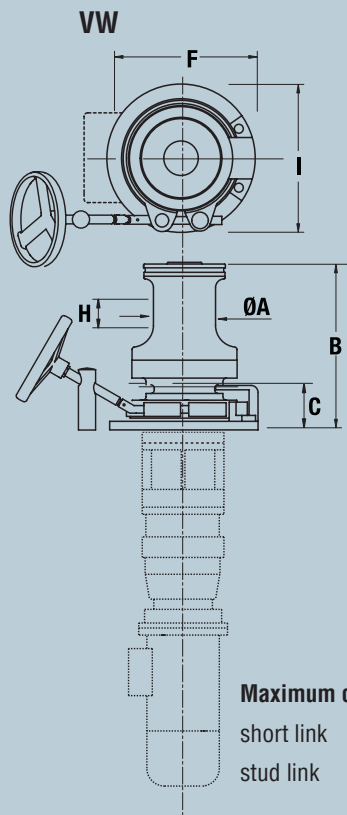


Anchoring Solutions

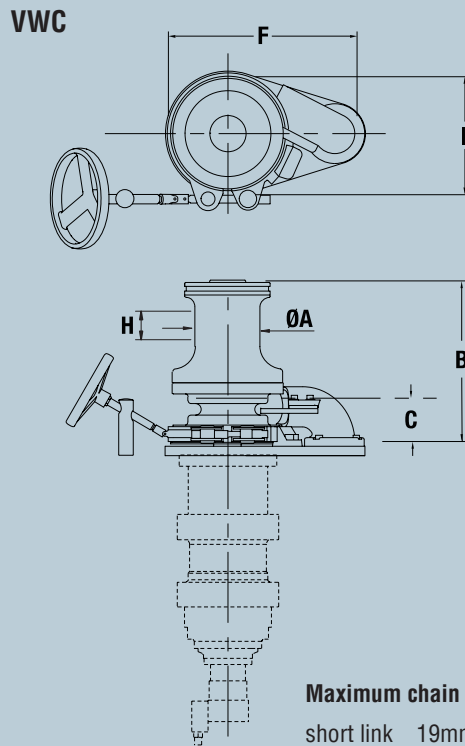
Windlasses

Capstans

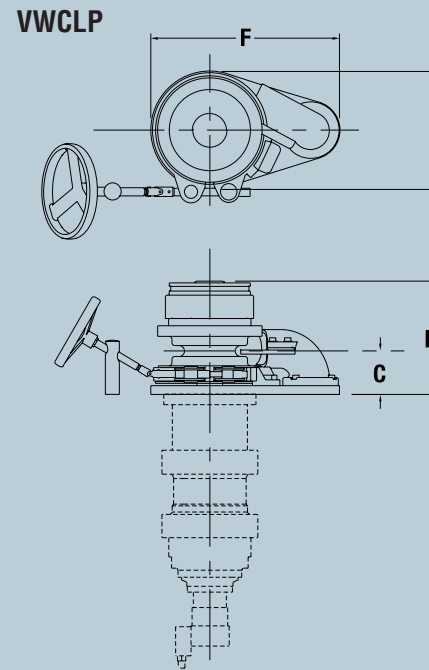
Accessories



Maximum chain size:
short link 22mm
stud link 22mm



Maximum chain size:
short link 19mm
stud link 19mm



Maximum chain size:
short link 19mm
stud link 19mm

	VW	VWC	VWCLP
A	180mm 7 1/16"	180mm 7 1/16"	-
B	485mm 19 1/8"	485mm 19 1/8"	356mm 14"
C	125mm 4 15/16"	125mm 4 15/16"	125mm 4 15/16"
F	430mm 16 7/8"	553mm 21 3/4"	553mm 21 3/4"
H	110mm 4 5/16"	110mm 4 5/16"	-
I	430mm 16 7/8"	346mm 13 5/8"	346mm 13 5/8"

MAXWELL

8000

Introduction • Topworks • **Drives**
• Band Brakes and options



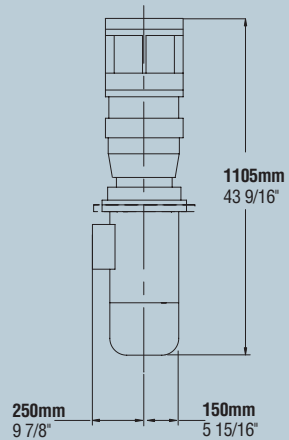
Anchoring Solutions

Windlasses

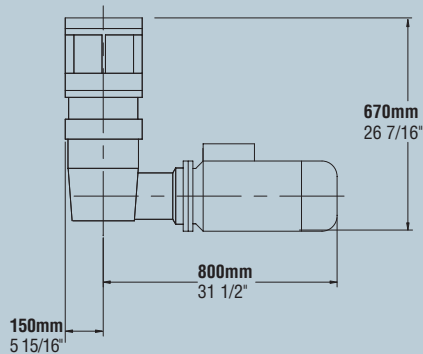
Capstans

Accessories

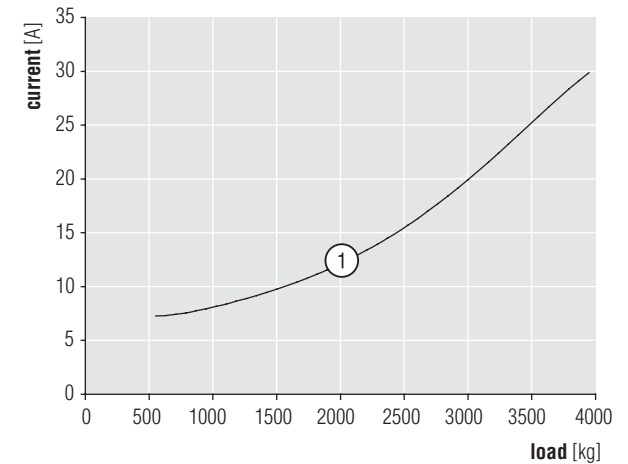
AC Drive Specifications



Single Speed and Dual Speed Motors have the same measurements



	Vertical Drive	90° Drive
Line Speed	15 m/min 50 ft/min	15 m/min 50 ft/min
Pull Capacity cont. run ①	2000 kg 4409 lb	2000 kg 4409 lb
Pull Capacity stall	4050 kg 8928 lb	4050 kg 8928 lb
Current (@ 400V)		
start DOL	64 A	64 A
Rated Load	12 A	12 A
Motor Power	5.5 kW 7.5 HP	5.5 kW 7.5 HP
Weight of Windlass	270 kg 596 lb	313kg 689lb



NOTE: Performance data are given for 400V 50Hz power supply. They may vary for other voltages and frequencies.

MAXWELL

8000

Introduction • Topworks • **Drives**
• Band Brakes and options



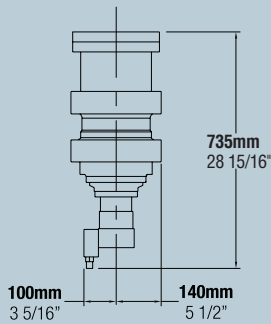
Anchoring Solutions

Windlasses

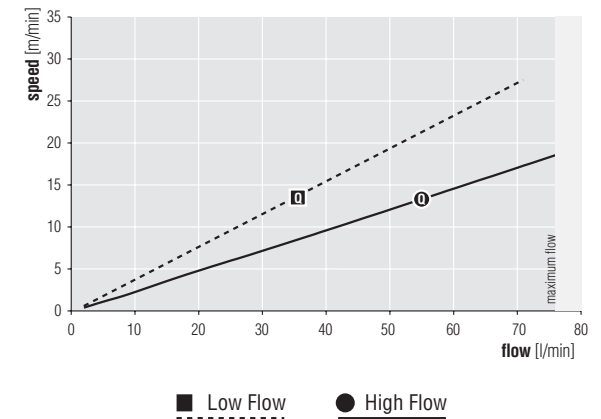
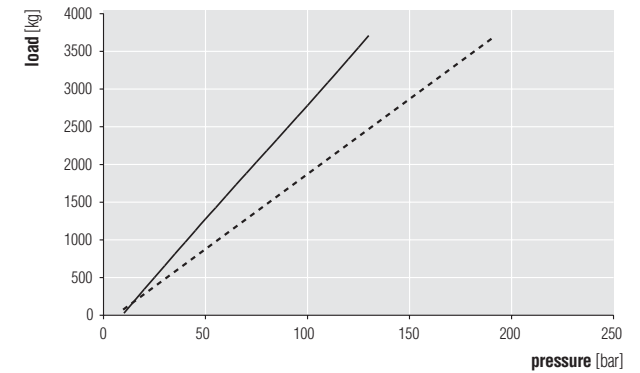
Capstans

Accessories

Hydraulic Drive Specifications



	Low flow	High flow
Maximum Pressure - p	180 bar 2600 psi	138 bar 2000 psi
Pull Capacity	3640 kg 8000 lb	3640 kg 8000 lb
Recommended Flow - Q	36 l/min 9.5 USgal/min	53 l/min 14 USgal/min
Line Speed @ Q	13 m/min 42 ft/min	13 m/min 42 ft/min
Maximum Flow	75 l/min 20 USgal/min	75 l/min 20 USgal/min
Weight of Windlass	280 kg 616 lb	280 kg 616 lb



MAXWELL

8000

Introduction • Topworks • Drives
• **Band Brakes and options**

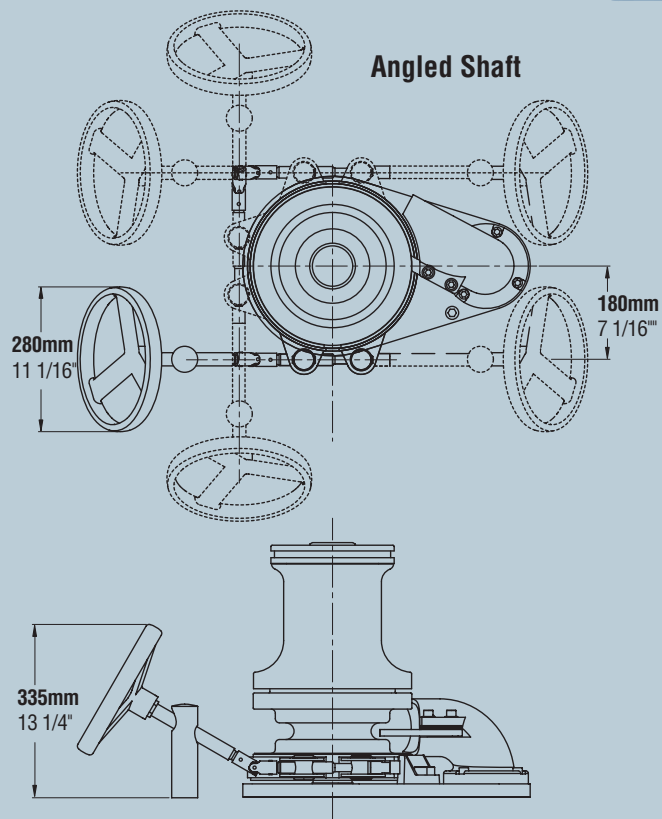


Anchoring Solutions

Windlasses

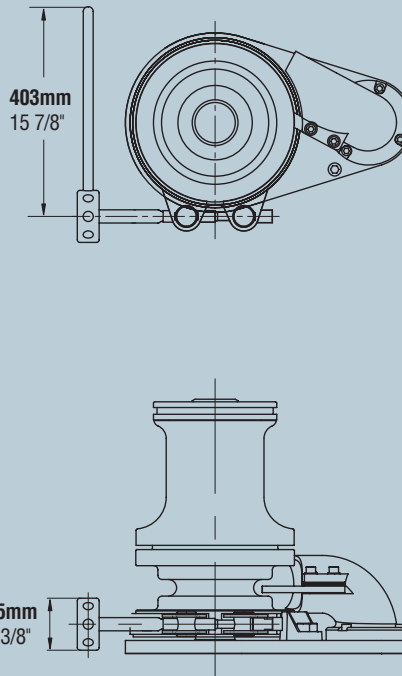
Capstans

Accessories



Angled Shaft

Horizontal Shaft (confined Installation)



Custom band brake positions (dotted lines) are available on request and incur a surcharge

Options

- Available with and without band brake
- Above deck components in stainless steel or chromed bronze
- Can accommodate custom chain sizes if sample provided.
- Various position of band brake handles
- Clockwise and counter-clockwise versions
- Drive can be positioned in different orientations relative to deckplate

MAXWELL