

4500

Introduction • Topworks • Drives
• Band Brakes and options



Anchoring Solutions

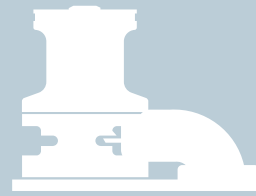
Windlasses

Capstans

Accessories



VW



VWC



VWCLP



AC HORIZONTAL
DRIVE



HYDRAULIC
DRIVE



Disclaimer

All information is subject to change without notice. For any critical requirement, use only specifically quoted figures, available on request.

MAXWELL

4500

Introduction • **Topworks** • Drives
• Band Brakes and options



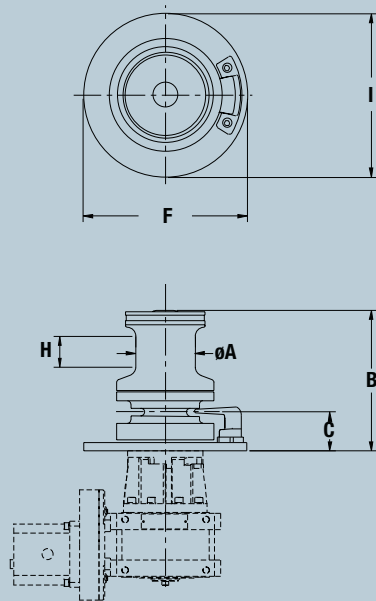
Anchoring Solutions

Windlasses

Capstans

Accessories

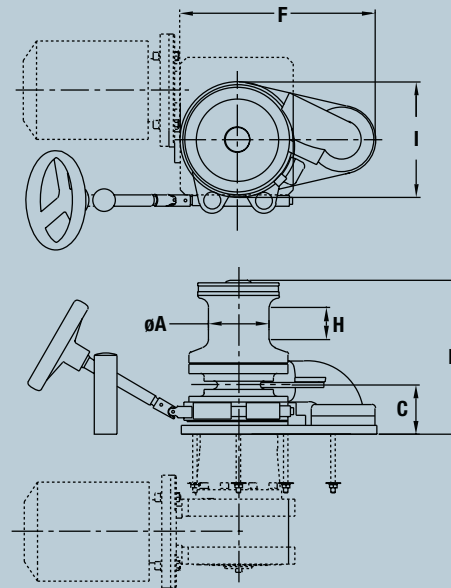
VW



Maximum chain size:

short link 16mm
stud link 14mm

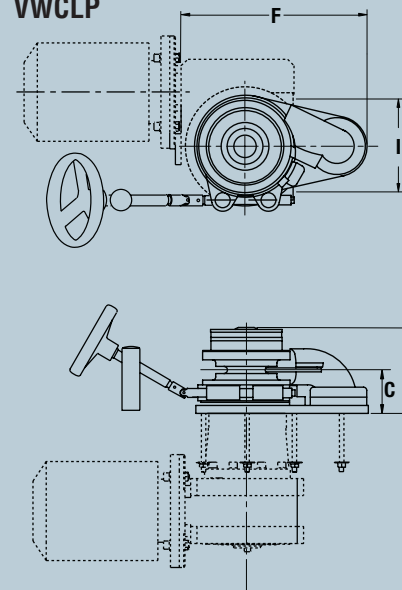
VWC



Maximum chain size:

short link 16mm
stud link 14mm

VWCLP



Maximum chain size:

short link 16mm
stud link 14mm

	VW	VWC	VWCLP
A	135mm 5 5/16"	135mm 5 5/16"	- -
B	342mm 13 7/16"	342mm 13 7/16"	226mm 8 7/8"
C	110mm 4 5/16"	110mm 4 5/16"	110mm 4 5/16"
F	350mm 13 3/4"	434mm 17 1/16"	434mm 17 1/16"
H	71mm 2 3/4"	71mm 2 3/4"	- -
I	350mm 13 3/4"	254mm 10"	254mm 10"

Continue to scroll down for non band brake measurement options

MAXWELL

4500

Introduction • **Topworks** • Drives
• Band Brakes and options



Anchoring Solutions

Windlasses

Capstans

Accessories

	VW <small>(no band brake)</small>	VWC <small>(no band brake)</small>	VWCLP <small>(no band brake)</small>
A	135mm 5 5/16"	135mm 5 5/16"	-
B	322mm 12 11/16"	322mm 12 11/16"	205mm 8 1/8"
C	89mm 3 1/2"	89mm 3 1/2"	89mm 3 1/2"
F	350mm 13 3/4"	434mm 17 1/16"	434mm 17 1/16"
H	71mm 2 3/4"	71mm 2 3/4"	-
I	350mm 13 3/4"	254mm 10"	254mm 10"

MAXWELL

4500

Introduction • Topworks • **Drives**
• Band Brakes and options



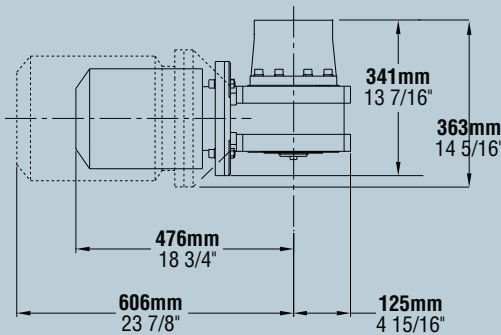
Anchoring Solutions

Windlasses

Capstans

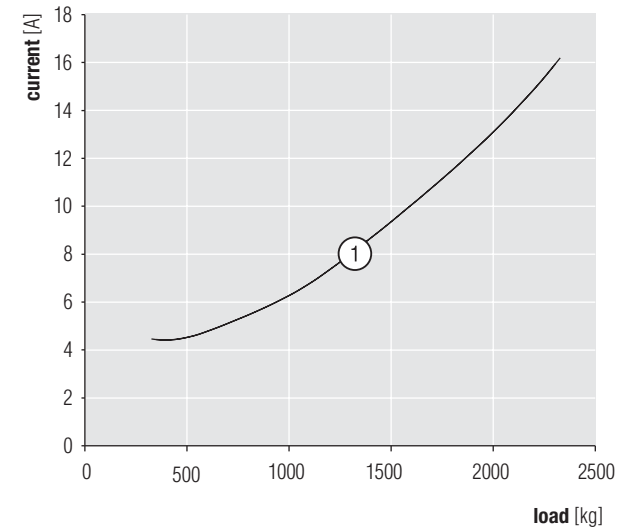
Accessories

AC Drive Specifications



90° Drive

Line Speed	14 m/min 46 ft/min
Pull Capacity cont. run ①	1286 kg 2829 lb
Pull Capacity stall	2045 kg 4500 lb
Current (@ 400V)	
Rated Load	8.7 A
start DOL	47 A
Motor Power	4 kW 5.5 HP
Weight of Windlass	193 kg 425 lb



NOTE: Performance data are given for 400V 50Hz power supply.
They may vary for other voltages and frequencies.

MAXWELL

4500

Introduction • Topworks • **Drives**
• Band Brakes and options



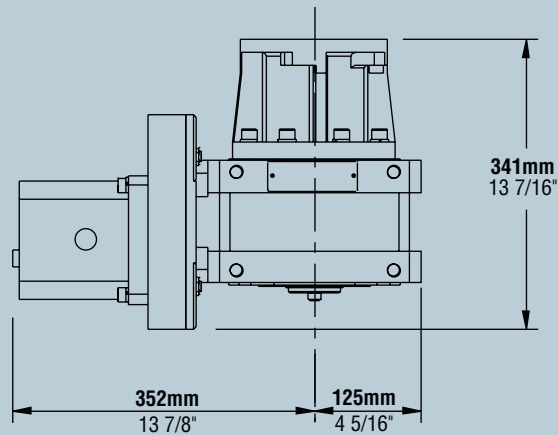
Anchoring Solutions

Windlasses

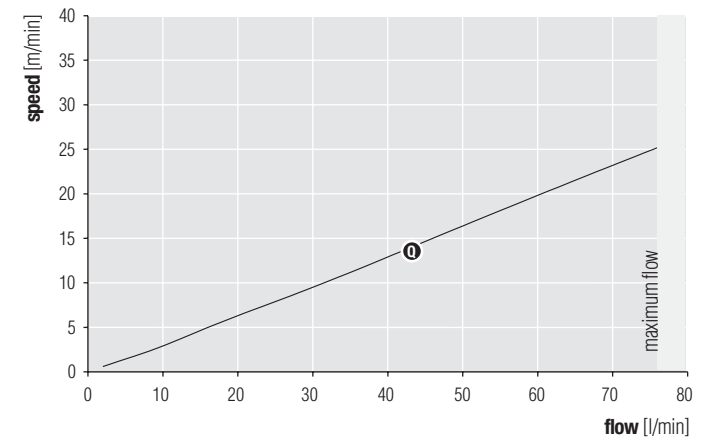
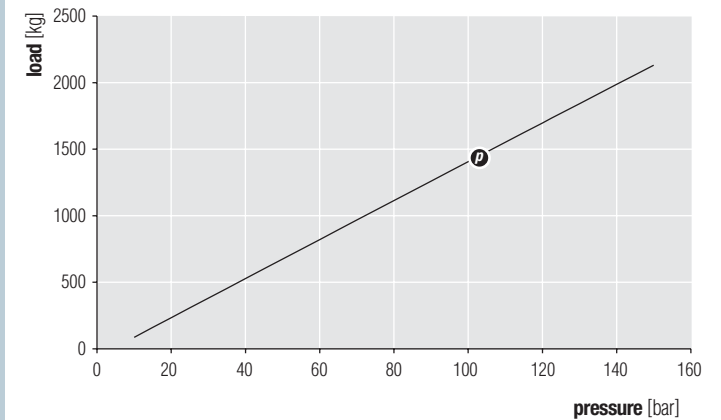
Capstans

Accessories

Hydraulic Drive Specifications



Maximum Pressure - p	105 bar 1500 psi
Pull Capacity	2045 kg 4500 lb
Recommended Flow - Q	45 l/min 12 USgal/min
Line Speed @ Q	14 m/min 47 ft/min
Maximum Flow	76 l/min 20 USgal/min
Weight of Windlass	123 kg 271 lb



MAXWELL

4500

Introduction • Topworks • Drives
• **Band Brakes and options**

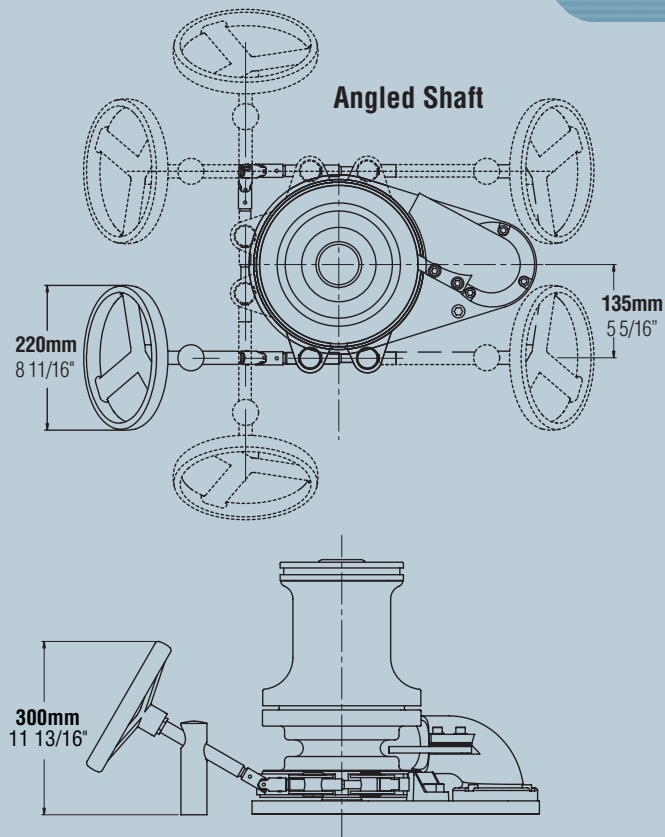


Anchoring Solutions

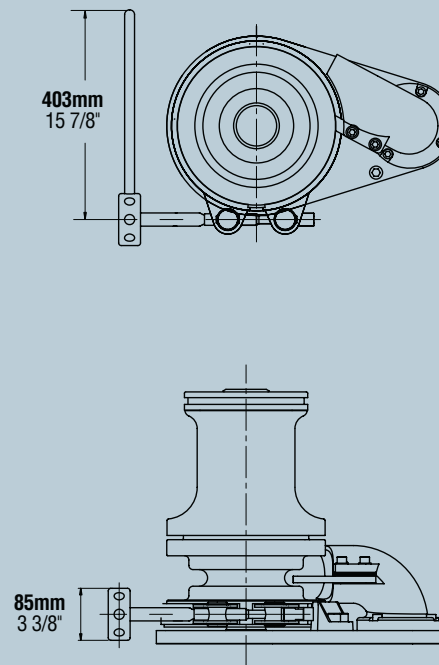
Windlasses

Capstans

Accessories



Horizontal Shaft (confined installation)



Custom band brake positions (dotted lines) are available on request and incur a surcharge

Options

- Available with and without band brake
- Above deck components in stainless steel or chromed bronze
- Can accommodate custom chain sizes if sample provided.
- Clockwise and counter-clockwise versions
- Drive can be positioned in different orientations relative to deckplate

MAXWELL