

3000

Introduction • Topworks • Drives



Anchoring Solutions

Windlasses

Capstans

Accessories



AC DRIVE



Disclaimer

All information is subject to change without notice. For any critical requirement, use only specifically quoted figures, available on request.

MAXWELL

3000

Introduction • **Topworks** • Drives

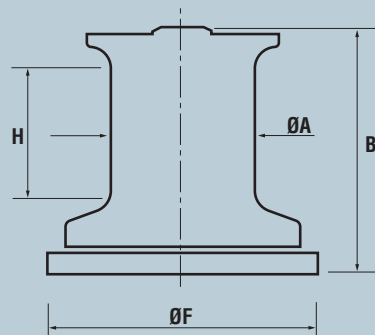


Anchoring Solutions

Windlasses

Capstans

Accessories



A	145mm 5 3/4"
B	260mm 10 1/4"
F	215mm 8 1/2"
H	160mm 6 5/16"

MAXWELL

3000

Introduction • Topworks • **Drives**



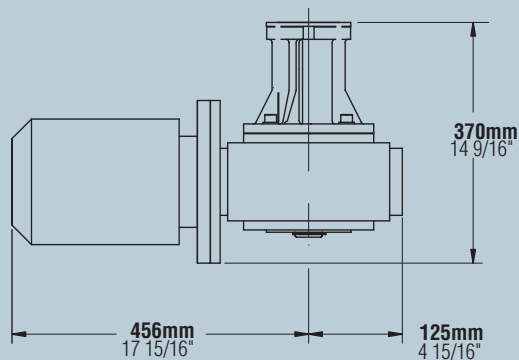
Anchoring Solutions

Windlasses

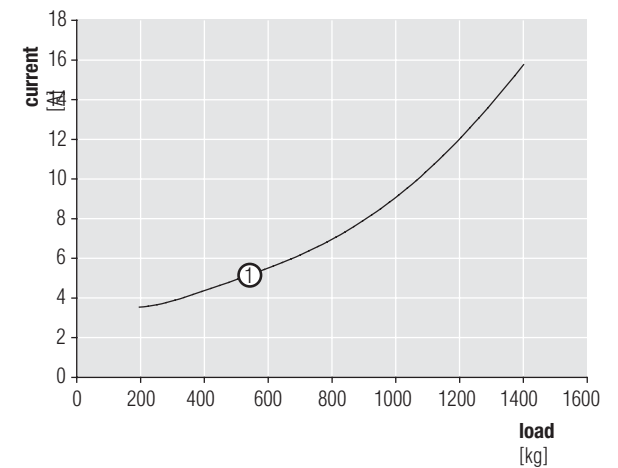
Capstans

Accessories

AC Drive Specifications



Line Speed	13 m/min 44 ft/min
Pull Capacity cont. run ①	524 kg 1154 lb
Pull Capacity stall	1364 kg 3000 lb
Current (At 400V)	
Rated Load	4.7 A
start DOL	30 A
Motor Power	2.2 kW 2.9 HP
Weight	76 kg 167 lb



NOTE: Performance data are given for 400V 50Hz power supply. They may vary for other voltages and frequencies.

MAXWELL