

# SY22

Introduction • Topworks • Drives  
• Band Brakes and options



Anchoring Solutions

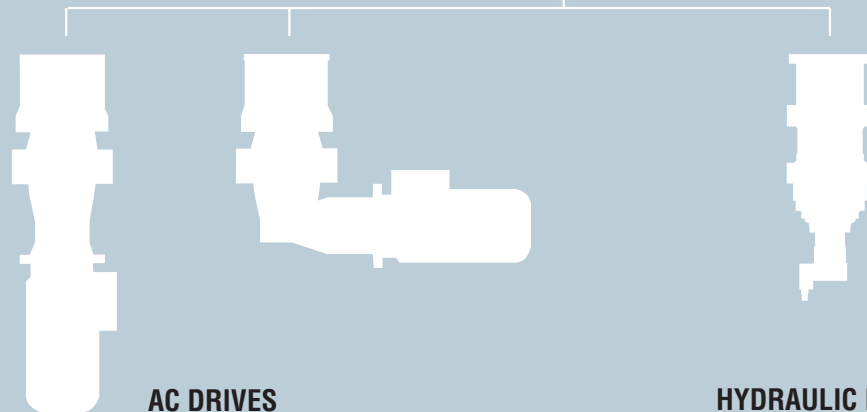
Windlasses

Capstans

Accessories



VW



AC DRIVES

HYDRAULIC DRIVE



Representative SY22 image only.  
Band Brake configuration may vary.

SY22 WINDLASS WITH BAND BRAKE

## Disclaimer

All information is subject to change without notice. For any critical requirement, use only specifically quoted figures, available on request.

# MAXWELL

# SY22

Introduction • **Topworks** • Drives  
• Band Brakes and options

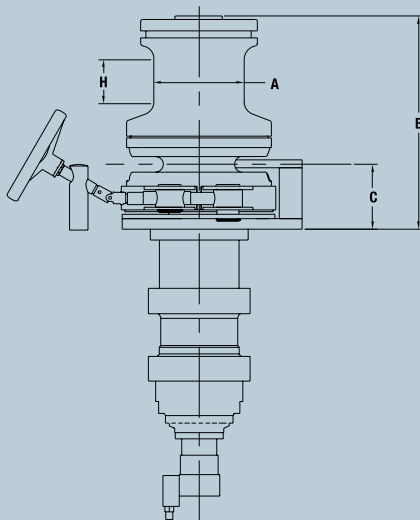
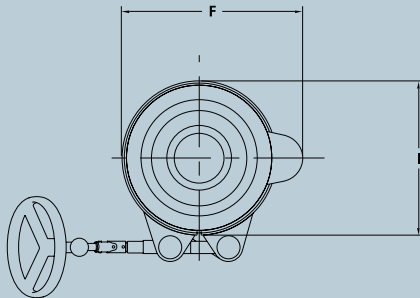


Anchoring Solutions

**Windlasses**

Capstans

Accessories



**Maximum chain size:**

short link 22mm

stud link 22mm

	<b>VW</b>
<b>A</b>	215mm 8 1/2"
<b>B</b>	509mm 20 1/16"
<b>C</b>	146mm 5 3/4"
<b>F</b>	435mm 17 1/8"
<b>H</b>	130mm 5 1/8"
<b>I</b>	360mm 14 3/16"

**MAXWELL**

# SY22

Introduction • Topworks • **Drives**  
• Band Brakes and options



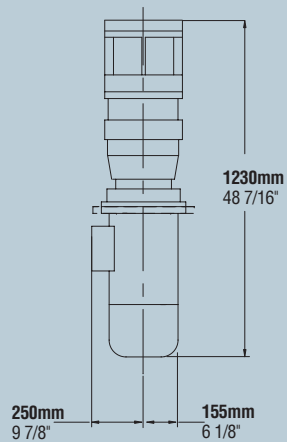
Anchoring Solutions

**Windlasses**

Capstans

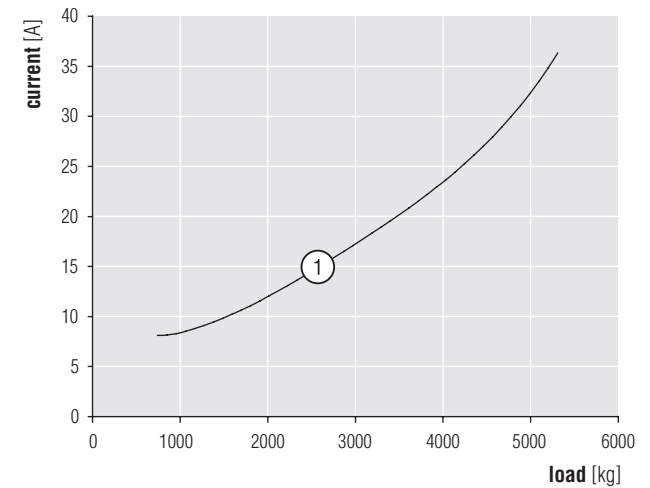
Accessories

## AC Drive Specifications

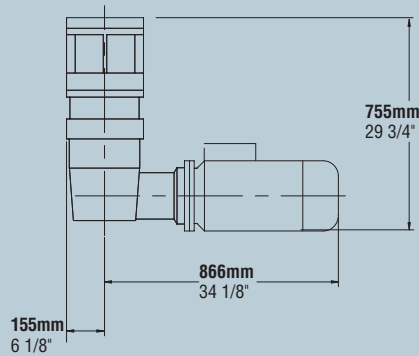


Single Speed and Dual Speed Motors have the same measurements

	Vertical Drive	90° Drive
Line Speed	15 m/min 50 ft/min	15 m/min 50 ft/min
Pull Capacity cont. run ①	2654 kg 5839 lb	2654 kg 5839 lb
Pull Capacity stall	5320 kg 11704 lb	5320 kg 11704 lb
Current (@ 400V)		
Rated Load	15.4 A	15.4 A
start DOL	106 A	106 A
Motor Power	7.5 kW 10 HP	7.5 kW 10 HP
Weight of Windlass	355 kg 781 lb	398 kg 876 lb



NOTE: Performance data are given for 400V 50Hz power supply. They may vary for other voltages and frequencies.



**MAXWELL**

# SY22

Introduction • Topworks • **Drives**  
• Band Brakes and options



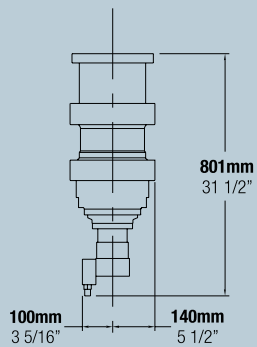
Anchoring Solutions

**Windlasses**

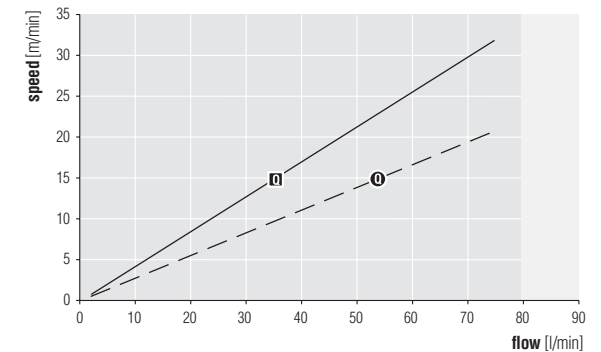
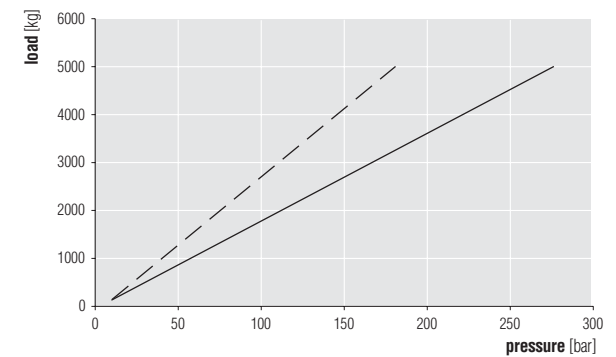
Capstans

Accessories

## Hydraulic Drive Specifications



	Low Flow	High Flow
Maximum Pressure - $p$	277 bar 4000 psi	179 bar 2600 psi
Pull Capacity	5000 kg 11000 lb	5000 kg 11000 lb
Recommended Flow - $Q$	36 l/min 9.5 USgal/min	53 l/min 14 USgal/min
Line Speed @ $Q$	15 m/min 50 ft/min	15 m/min 50 ft/min
Maximum Flow	75 l/min 20 USgal/min	75 l/min 20 USgal/min
Weight of Windlass	367 kg 808 lb	367 kg 808 lb



■ Low Flow    ● High Flow

**MAXWELL**

# SY22

Introduction • Topworks • Drives  
• **Band Brakes and options**

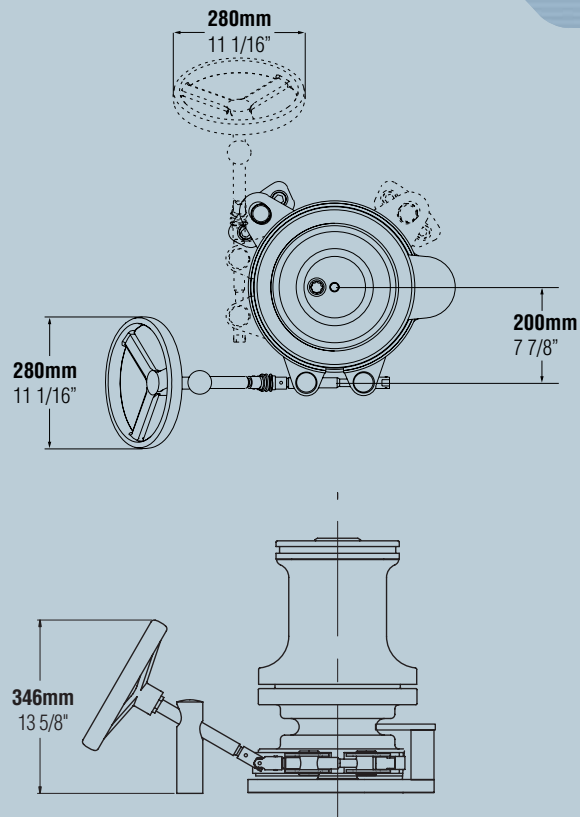


Anchoring Solutions

**Windlasses**

Capstans

Accessories



### Typical Band Brake configurations.

Custom band brake positions (dotted lines) are available on request and incur a surcharge

### Options

- Select from 40 positions for band brake
- Above deck components in stainless steel (except chain wheel)
- Clockwise and counter-clockwise versions
- Drive can be positioned in different orientations relative to deckplate

**MAXWELL**