

2200

Introduction • Topworks • Drives

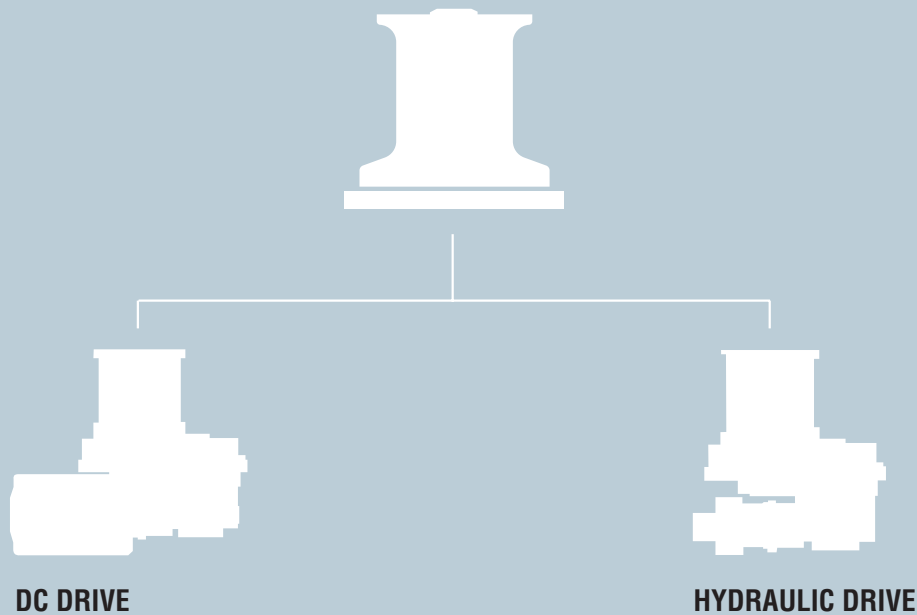


Anchoring Solutions

Windlasses

Capstans

Accessories



Disclaimer

All information is subject to change without notice. For any critical requirement, use only specifically quoted figures, available on request.

MAXWELL

2200

Introduction • **Topworks** • Drives

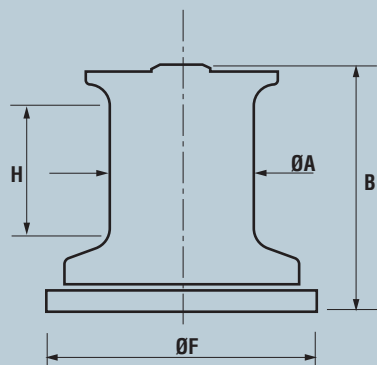


Anchoring Solutions

Windlasses

Capstans

Accessories



A	110mm 4 3/8"
B	152mm 6"
F	190mm 7 1/2"
H	54mm 2 1/8"

MAXWELL

2200

Introduction • Topworks • **Drives**



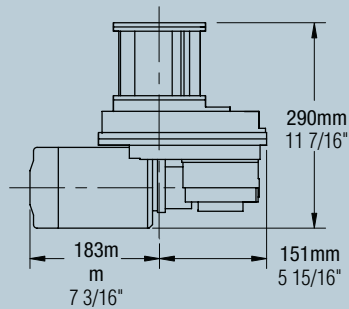
DC Drive Specifications

Anchoring Solutions

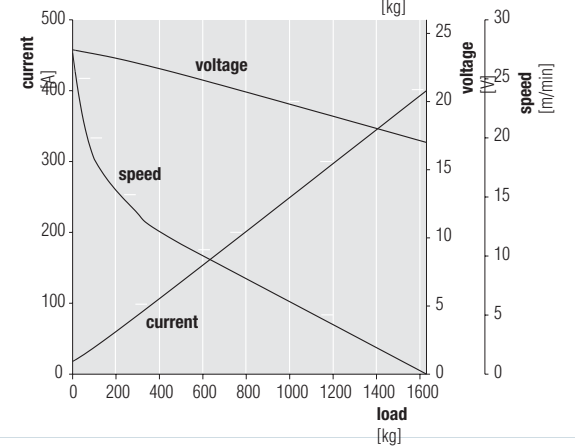
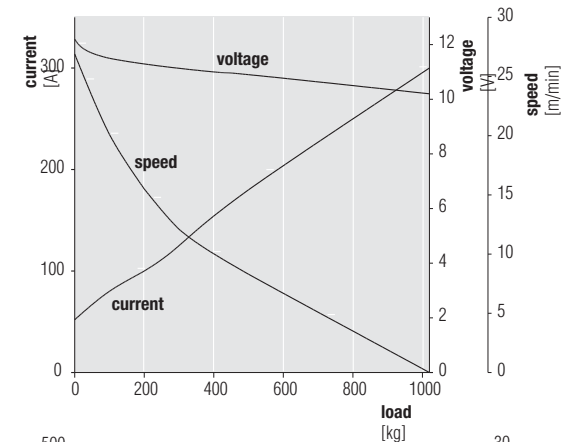
Windlasses

Capstans

Accessories



Pull Capacity	1000 kg
stall	2200 lb
Motor Power	1.2 kW
	1.6 HP
Weight	32 kg
	70 lb



MAXWELL

2200

Introduction • Topworks • **Drives**



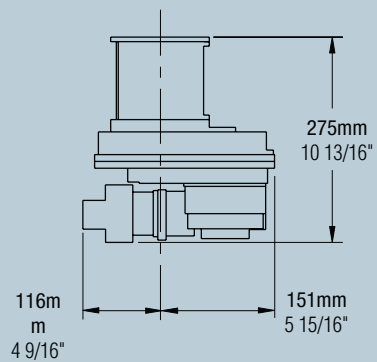
Anchoring Solutions

Windlasses

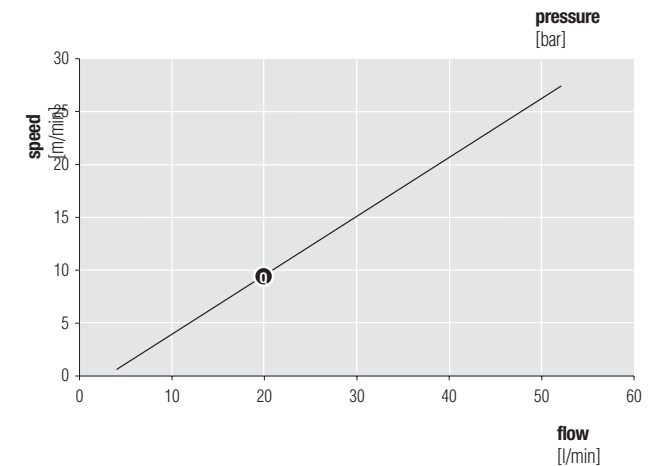
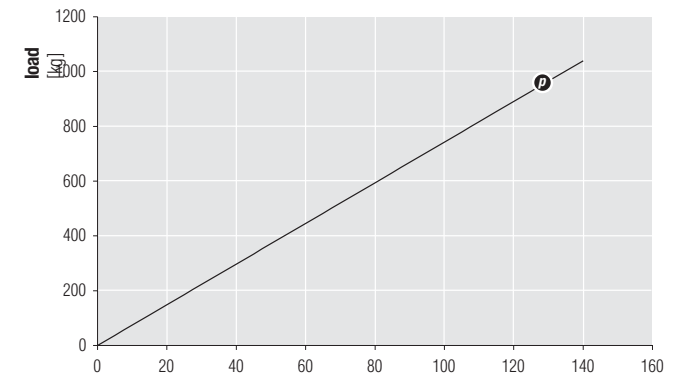
Capstans

Accessories

Hydraulic Drive Specifications



Maximum Pressure - p	135 bar 1950 psi
Pull Capacity	1000 kg 2200 lb
Recommended Flow - Q	36 l/min 9.5 USgal/min
Line Speed @ Q	12 m/min 38 ft/min
Maximum Flow	55 l/min 14 USgal/min
Weight	31 kg 68 lb



MAXWELL