

1500

Introduction • Topworks • Drives



Anchoring Solutions

Windlasses

Capstans

Accessories



DC DRIVE



Disclaimer

All information is subject to change without notice. For any critical requirement, use only specifically quoted figures, available on request.

MAXWELL

1500

Introduction • **Topworks** • Drives

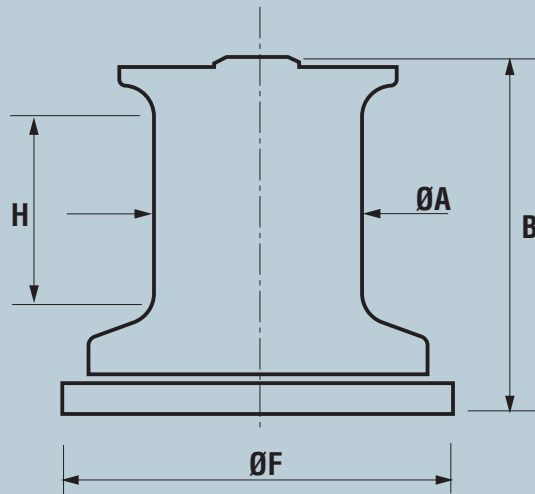


Anchoring Solutions

Windlasses

Capstans

Accessories



A	110mm 4 11/32"
B	153mm 6 1/16"
F	190mm 7 1/2"
H	54mm 2 1/8"

MAXWELL

1500

Introduction • Topworks • **Drives**



DC Drive Specifications

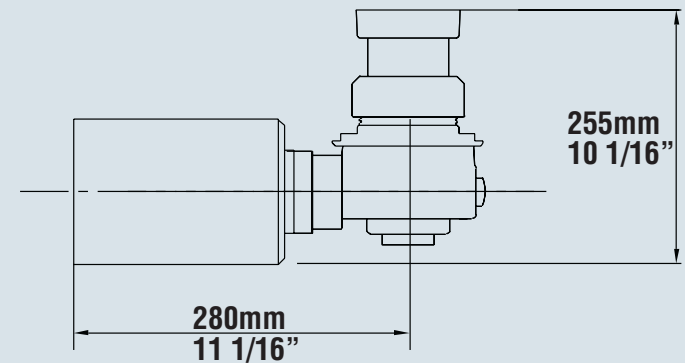
Anchoring Solutions

Windlasses

Capstans

Accessories

Pull Capacity	680 kg
stall	1500 lb
Motor Power	1.2 kW
12 and 24V DC	1.6 HP
Weight	37 kg
	81 lb



MAXWELL