

# 11000

Introduction • Topworks • Drives  
• Band Brakes and options



Anchoring Solutions

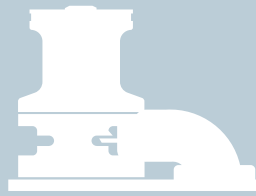
Windlasses

Capstans

Accessories



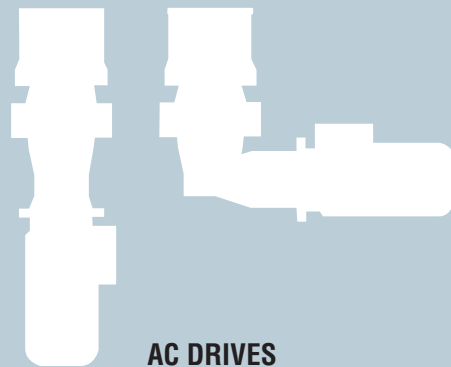
VW



VWC



VWCLP



AC DRIVES



HYDRAULIC DRIVE



## Disclaimer

All information is subject to change without notice. For any critical requirement, use only specifically quoted figures, available on request.

# MAXWELL

# 11000

Introduction • **Topworks** • Drives  
• Band Brakes and options

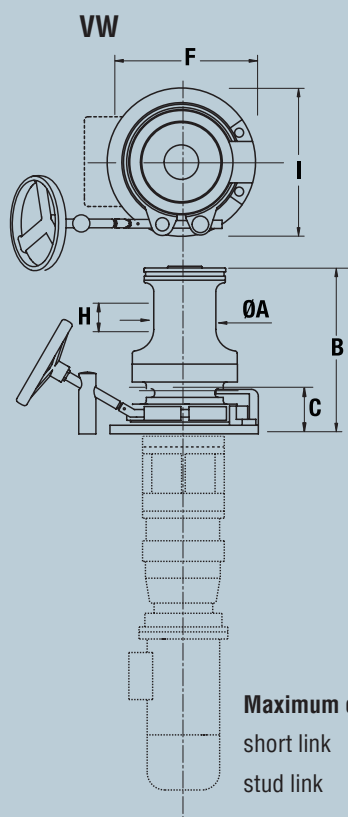


Anchoring Solutions

Windlasses

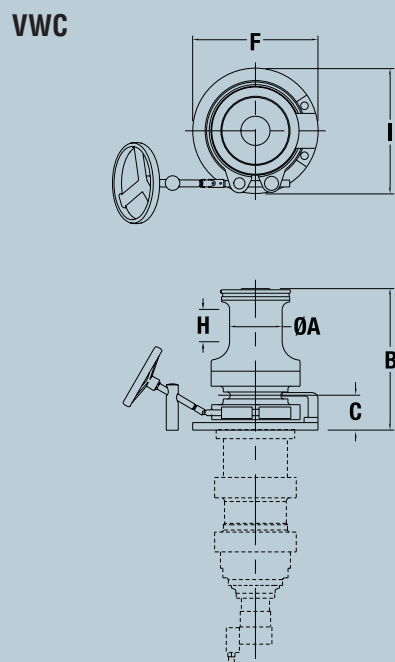
Capstans

Accessories



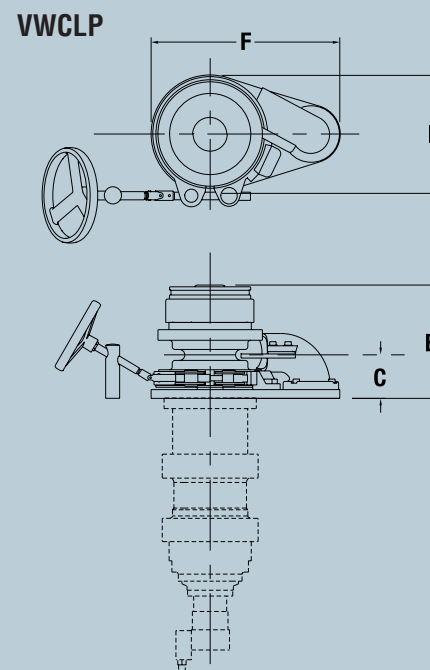
**Maximum chain size:**

short link 22mm  
stud link 22mm



**Maximum chain size:**

short link 19mm  
stud link 19mm



**Maximum chain size:**

short link 19mm  
stud link 19mm

	VW	VWC	VWCLP
<b>A</b>	180mm 7 1/8"	180mm 7 1/8"	-
<b>B</b>	485mm 4 5/16"	485mm 4 5/16"	356mm 14"
<b>C</b>	125mm 4 15/16"	125mm 4 15/16"	125mm 4 15/16"
<b>F</b>	430mm 16 15/16"	553mm 21 3/4"	553mm 21 3/4"
<b>H</b>	110mm 4 5/16"	110mm 4 5/16"	-
<b>I</b>	430mm 16 15/16"	346mm 13 5/8"	346mm 13 5/8"

**MAXWELL**

# 11000

Introduction • Topworks • **Drives**  
• Band Brakes and options



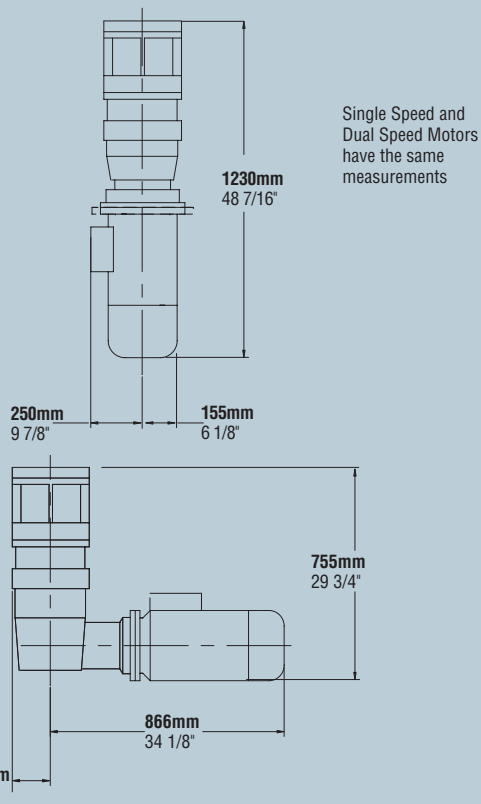
Anchoring Solutions

Windlasses

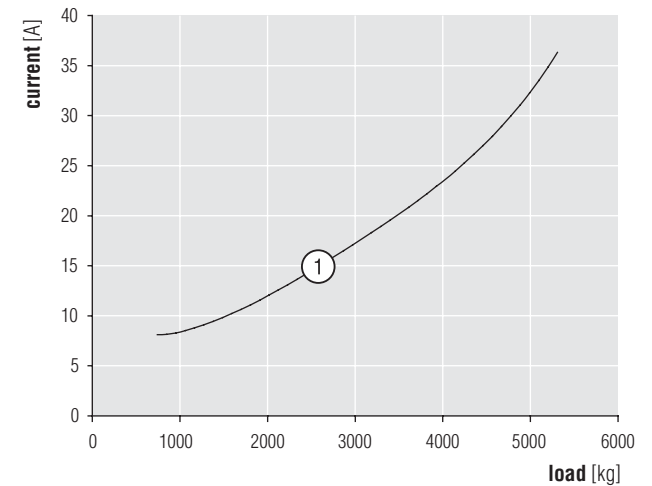
Capstans

Accessories

## AC Drive Specifications



	Vertical Drive	90° Drive
Line Speed	15 m/min 50 ft/min	15 m/min 50 ft/min
Pull Capacity cont. run ①	2654 kg 5839 lb	2654 kg 5839 lb
Pull Capacity stall	5320 kg 11704 lb	5320 kg 11704 lb
Current (@ 400V)		
Rated Load	15.4 A	15.4 A
start DOL	106 A	106 A
Motor Power	7.5 kW 10 HP	7.5 kW 10 HP
Weight of Windlass	342 kg 752 lb	372 kg 818 lb



NOTE: Performance data are given for 400V 50Hz power supply. They may vary for other voltages and frequencies.

**MAXWELL**

# 11000

Introduction • Topworks • **Drives**  
• Band Brakes and options



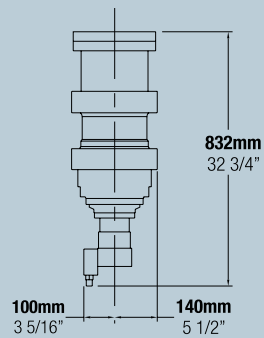
Anchoring Solutions

**Windlasses**

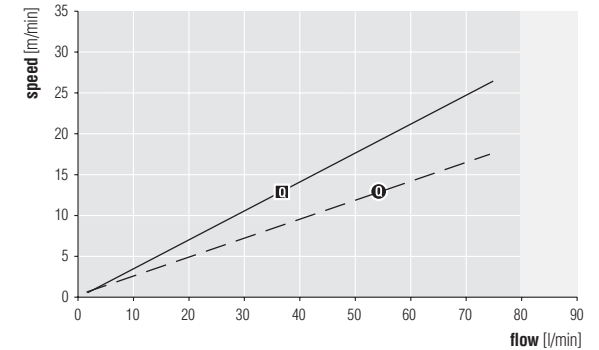
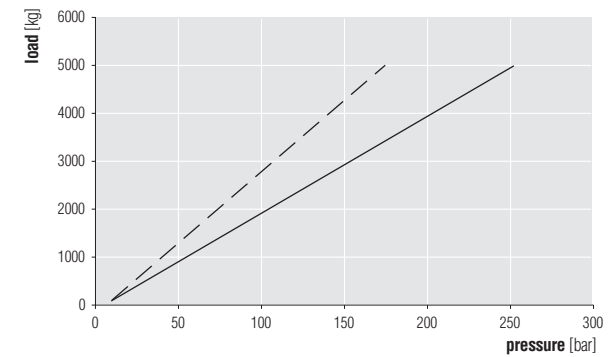
Capstans

Accessories

## Hydraulic Drive Specifications



	Low Flow	High Flow
Maximum Pressure - $p$	255 bar 3700 psi	173 bar 2500 psi
Pull Capacity	5000 kg 11000 lb	5000 kg 11000 lb
Recommended Flow - $Q$	36 l/min 9.5 USgal/min	53 l/min 14 USgal/min
Line Speed @ $Q$	13 m/min 42 ft/min	13 m/min 42 ft/min
Maximum Flow	75 l/min 20 USgal/min	75 l/min 20 USgal/min
Weight of Windlass	280 kg 616 lb	280 kg 616 lb



■ Low Flow    ● High Flow

**MAXWELL**

# 11000

Introduction • Topworks • Drives  
• **Band Brakes and options**

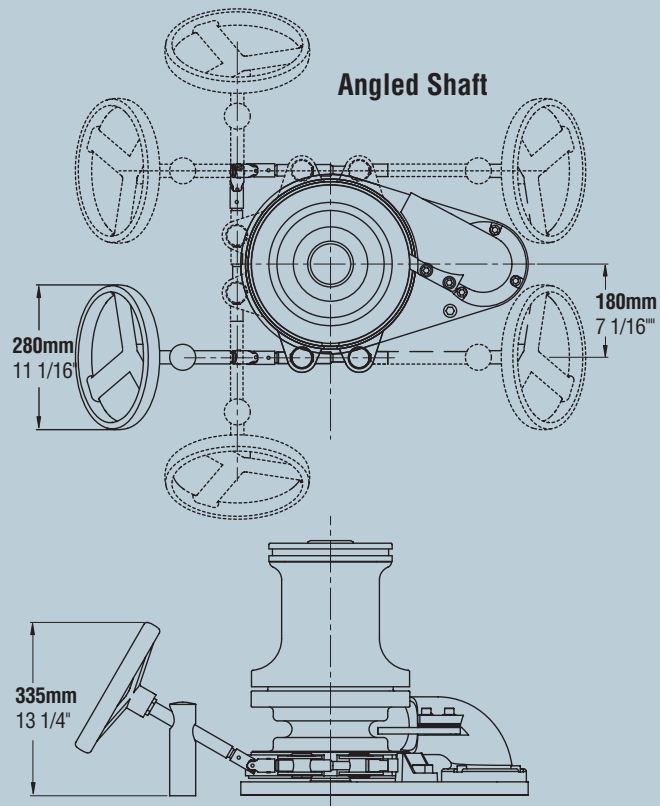


Anchoring Solutions

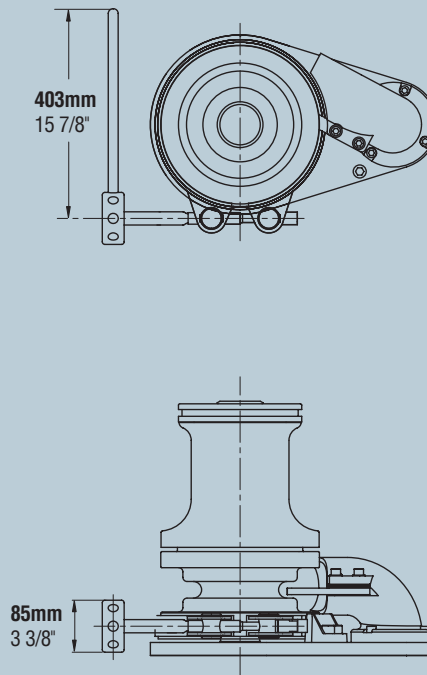
**Windlasses**

Capstans

Accessories



**Horizontal Shaft (confined Installation)**



Custom band brake positions (dotted lines) are available on request and incur a surcharge

## Options

- Available with and without band brake
- Above deck components in stainless steel or chromed bronze
- Can accommodate custom chain sizes if sample provided.
- Various position of band brake handles
- Clockwise and counter-clockwise versions

**MAXWELL**